

# AM3VM... / AM3VI... MODULAR MAX PRESSURE VALVES CETOP 3



**AM3VM / AM3VI...**

CMP10... CH. VII PAGE 30  
SCREWS AND STUDS CH. IV PAGE 21

AM.3.VM type pressure regulating valves are available with a pressure range of 2 ÷ 320 bar.

Adjustment is by means of a grub screw or a plastic knob.

Three basic versions are available:  
 - AM3VM on single A or B lines, and on A and B lines, with drainage to T;  
 - AM3VMP on single P line, with drainage to T;  
 - AM3VI on single A or B lines, and on A and B lines, with crossed drainage on A or B (see hydraulic symbols).  
 All versions can accept three types of springs with calibrated ranges as shown in the specifications.

The cartridge, which is the same for all versions, is the direct acting type CMP10.

**For the minimum permissible setting pressure depending on the spring, see minimum pressure setting curve.**

Max. operating pressure	320 bar
Setting ranges:	spring 1 max. 50 bar
	spring 2 max. 150 bar
	spring 3 max. 320 bar
Max. flow	40 l/min
Hydraulic fluids	Mineral oils DIN 51524
Fluid viscosity	10 ÷ 500 mm <sup>2</sup> /s
Fluid temperature	-25°C ÷ 75°C
Ambient temperature	-25°C ÷ 60°C
Max. contamination level	class 10 in accordance with NAS 1638 with filter $\beta_{25} \geq 75$
Weight AM.3.VM.A/B/P...	1,2 Kg
Weight AM.3.VM.AB...	1,3 Kg
Weight AM.3.VI.A/B...	2 Kg
Weight AM.3.VI.AB...	2,2 Kg

### ORDERING CODE

**AM**

Modular valve

**3**

CETOP 3/NG6

**\*\***

**VM** = Maximum pressure  
**VI** = Maximum pressure crossline

**\*\***

Adjustment on the lines  
 AM.3.VM Version = **A / B / P / AB**  
 AM.3.VI Version = **A / B / AB**

**\***

Type of adjustment  
**M** = Plastic knob  
**C** = Grub screw

**\***

Setting ranges at port A/B/P  
**1** = max. 50 bar (**white spring**)  
**2** = max. 150 bar (**yellow spring**)  
**3** = max. 320 bar (**green spring**)

**\***

Setting ranges at port B  
 (Omit if the setting is same as that at port A)  
**1** = max. 50 bar (**white spring**)  
**2** = max. 150 bar (**yellow spring**)  
**3** = max. 320 bar (**green spring**)

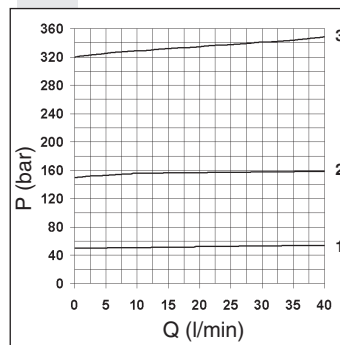
**\*\***

**00** = No variant  
**V1** = Viton

**3**

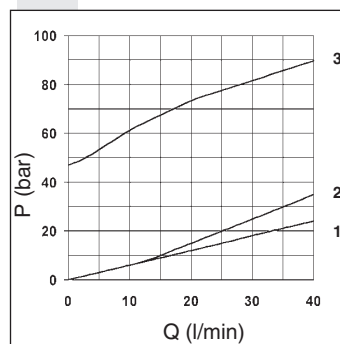
Serial No.

### PRESSURE - FLOW RATE

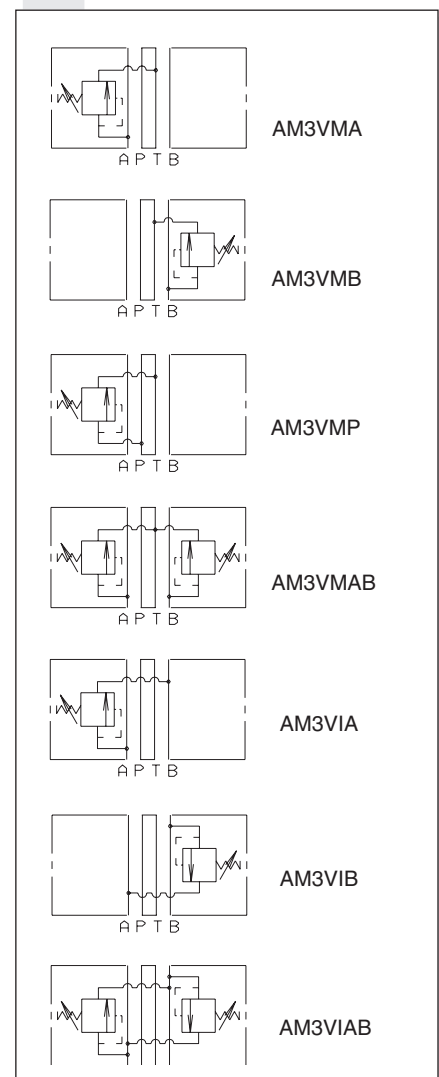


Curves n° 1 - 2 - 3 = setting ranges

### MINIMUM SETTING PRESSURE



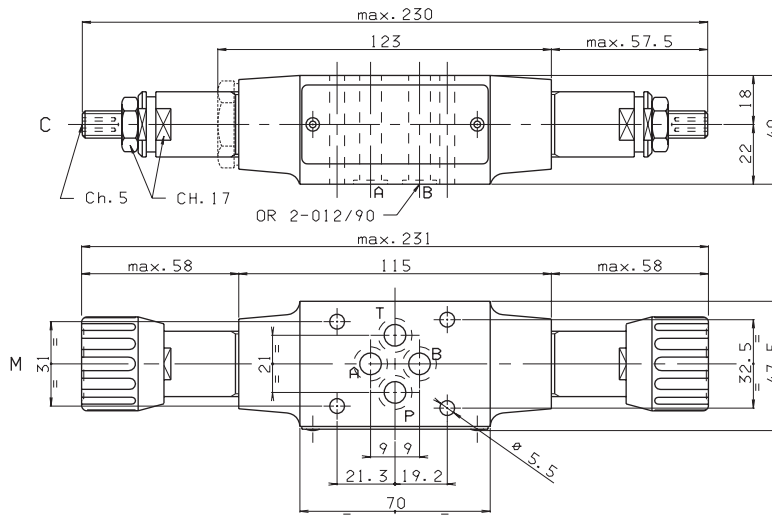
### HYDRAULIC SYMBOLS



OVERALL DIMENSIONS

4

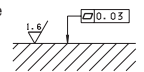
AM3VMAB...



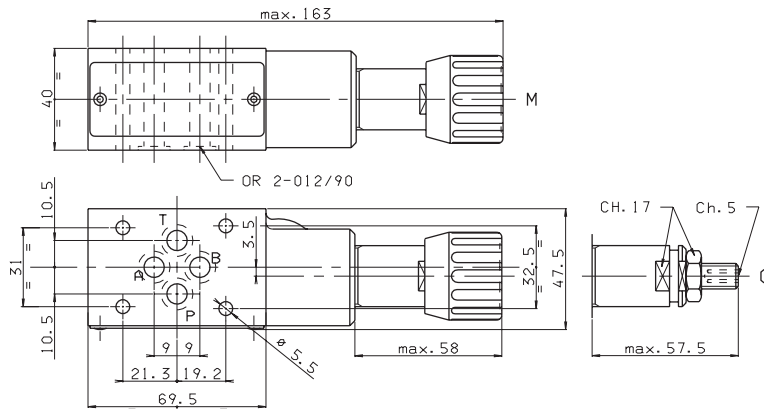
Type of adjustment

- M Plastic knob
- C Grub screw

Support plane specifications



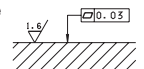
AM3VMP...



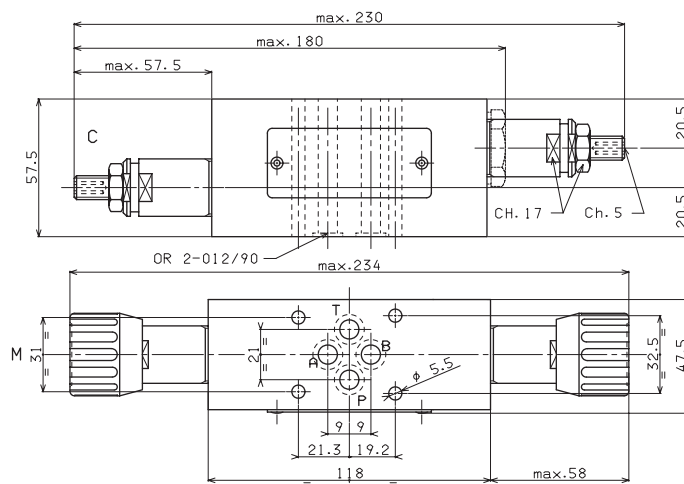
Type of adjustment

- M Plastic knob
- C Grub screw

Support plane specifications



AM3VIAB...



Type of adjustment

- M Plastic knob
- C Grub screw

Support plane specifications

