

1

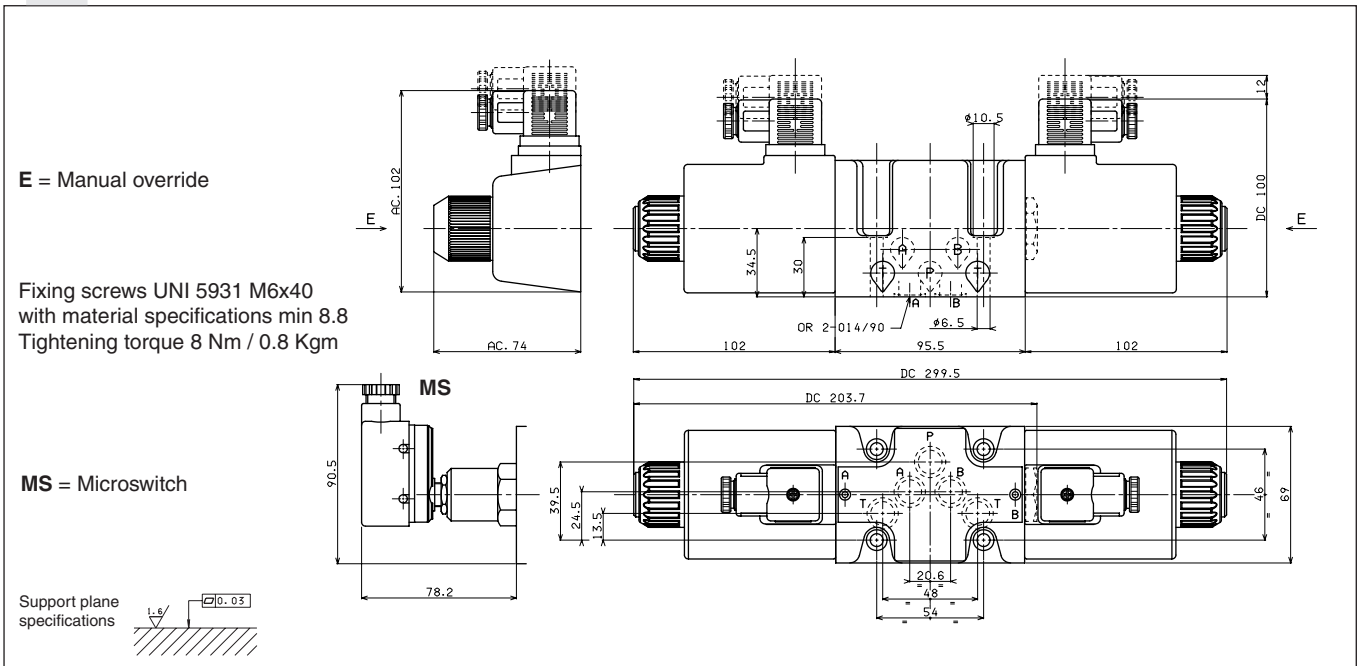


A max. counter-pressure of 4 bar at T is permitted for the variant with a microswitch (MS).

Max. pressure ports P/A/B	350 bar
Max. pressure port T (DC coil) see note (*)	160 bar
Max. pressure port T (AC coil)	160 bar
Max. flow	100 l/min
Max. excitation frequency	3 Hz
Duty cycle	100% ED
Fluid viscosity	10 ÷ 500 mm ² /s
Fluid temperature	-25°C ÷ 75°C
Ambient temperature	-25°C ÷ 60°C
Max. contamination level	class 10 in accordance with NAS
	1638 with filter $\beta_{25} \geq 75$
Weight (with one DC solenoid)	4 Kg
Weight (with two DC solenoids)	5,1 Kg
Weight (with one AC solenoid)	3,5 Kg
Weight (with two AC solenoids)	4,3 Kg

(*) Pressure dynamic allowed for 2 millions of cycles.

OVERALL DIMENSIONS



LIMITS OF USE (MOUNTING C-E-F)s

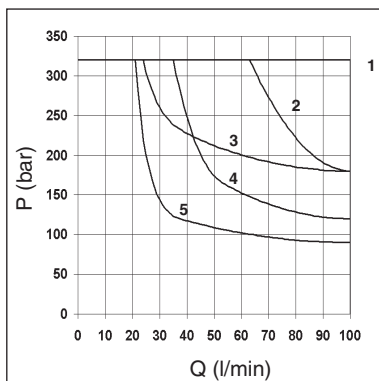
The tests have been carried out with solenoids at operating temperature and a voltage 10% less than rated voltage with a fluid temperature of 40°C. The fluid used was a mineral oil with a viscosity of 46 mm²/s at 40°C.

The values in the diagram refer to tests carried out with the oil flow in two directions simultaneously T = 2 bar (e.g. from P to A and the same time B to P).

In the cases where valves 4/2 and 4/3 were used with the flow in one direction only, the limits of use could have variations which may even be negative. Rest time: the values are indicative and depend on the following parameters: hydraulic circuit, fluid used and variations in hydraulic scales (pressure P, flow Q, temperature T).

Direct current :	Energizing	60 ÷ 95 ms.	Alternating current:	Energizing	12 ÷ 30 ms.
	De-energizing	25 ÷ 70 ms.		De-energizing	10 ÷ 55 ms.

DIRECT CURRENT SOLENOIDS (DC)



Spool type	Solenoids	
	DC	AC
01	1	8
02	1	6
03	2	7
04	4	10
05	1	6
06 - 66	3	9
14-28	5	11
15	3	10
16	1	6
	Curves	

ALTERNATING CURRENT SOLENOIDS (AC)

